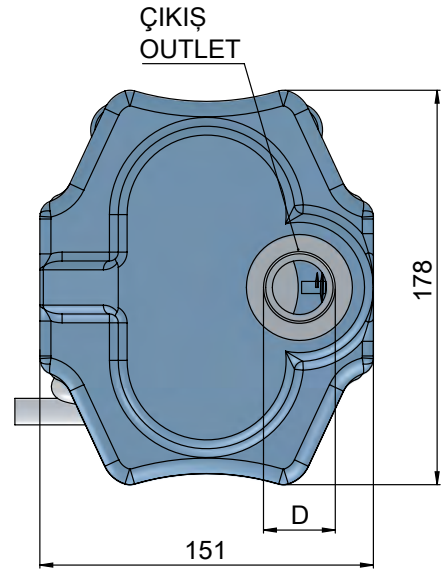
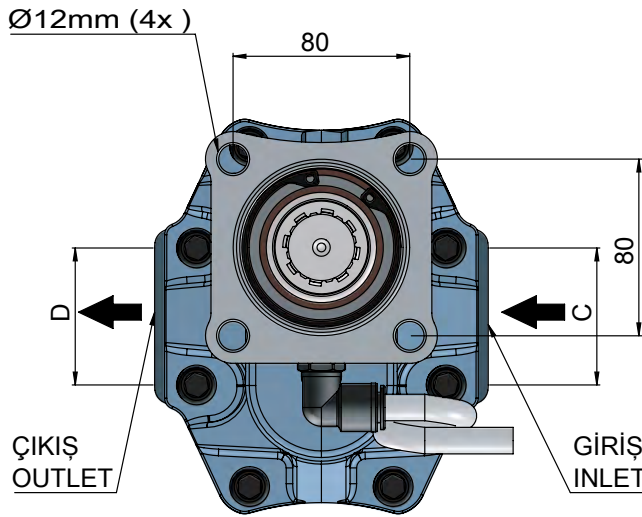
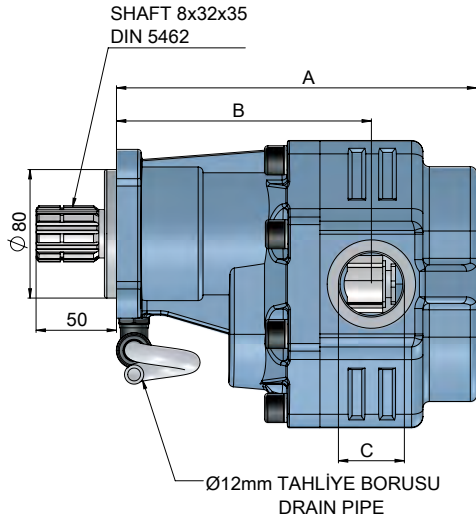


## 40 NOP SERİSİ TEK DÖNÜŞLÜ ISO

## 40 NOP SERIES SINGLE ROTATIONAL ISO



CODE KOD	ROTATION YÖN	DISPLACEMENT DEBİ (Lt/min)	A (mm)	B (mm)	INLET GİRİŞ (C)	OUTLET ÇIKIŞ (D)	Max. Continuous Pressure Max. Sürekli Basınç (Pnom)	Max. Peak Pressure Max. Pik Basınç (Pmax)
PDTD400630131-1	RIGHT/SAĞ	63	216	153	R1"-11	R3/4"-14	250	285
PDTD400630132-1	LEFT/SOL							
PDTD400730131-1	RIGHT/SAĞ	73	221	156	R1 1/4"-11	240	275	
PDTD400730132-1	LEFT/SOL							
PDTD400870131-1	RIGHT/SAĞ	87	224	158	R1"-11	220	250	
PDTD400870132-1	LEFT/SOL							
PDTD401090131-1	RIGHT/SAĞ	109	232	159	R1"-11	210	240	
PDTD401090132-1	LEFT/SOL							
PDTD401330131-1	RIGHT/SAĞ	133	247	159	R1 1/2"-11	200	230	
PDTD401330132-1	LEFT/SOL							
PDTD401510131-1	RIGHT/SAĞ	151	255	162	R1 1/2"-11	170	210	
PDTD401510132-1	LEFT/SOL							