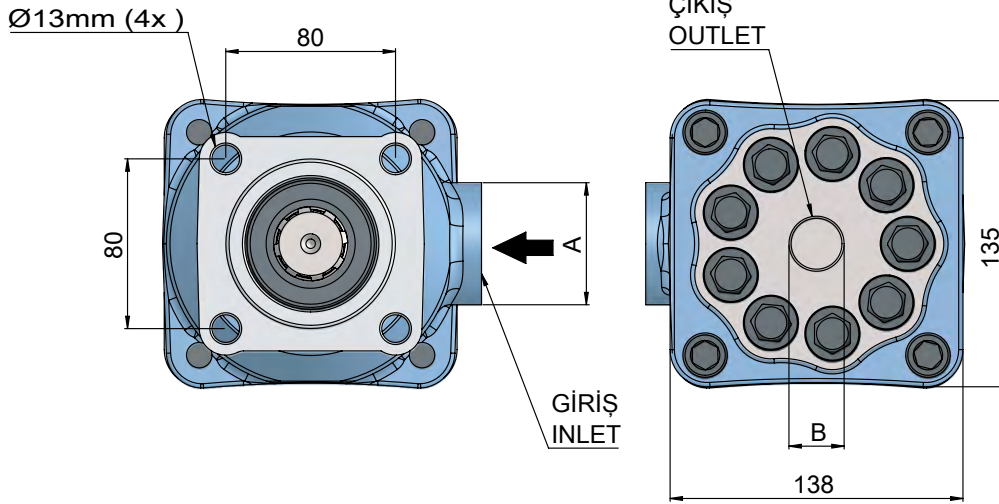
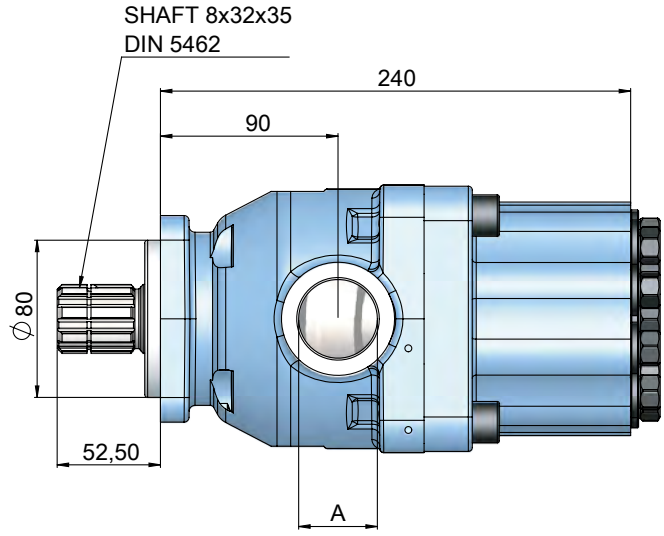


9 PISTON PUMP ISO

9 PİSTONLU POMPA ISO



CODE KOD	DISPLACEMENT DEBİ (Lt/min)	A (mm)	INLET GİRİŞ (B)	OUTLET ÇIKIŞ (C)	Max. Continuous Pressure Max. Sürekli Basınç (Pnom)	Max. Peak Pressure Max. PİK Basınç (Pmax)
PED0906010133	60	238	R1 1/4"-11	R3/4"-14	250	300
PED0908010133	80	238			250	300