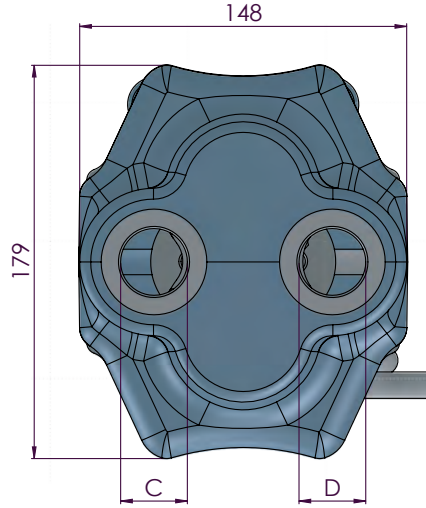
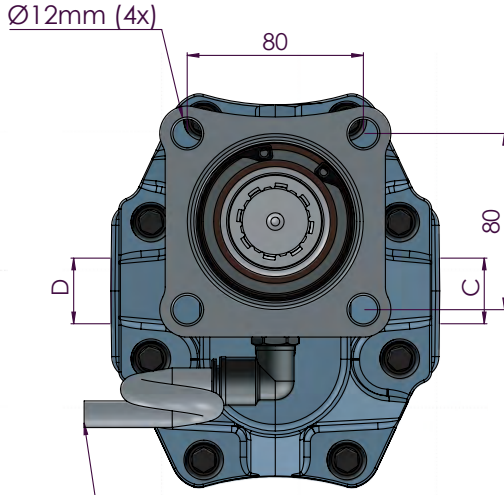
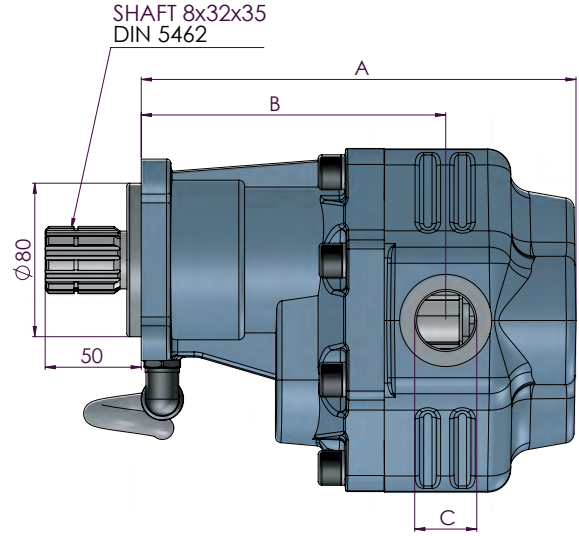


40 NOP SERIES BI-ROTATIONAL ISO

40 NOP SERİSİ ÇİFT DÖNÜŞLÜ ISO



Ø12mm TAHLİYE BORUSU
DRAIN PIPE

CODE KOD	ROTATION YÖN	DISPLACEMENT DEBİ (Lt/min)	A (mm)	B (mm)	INLET GİRİŞ (C)	OUTLET ÇIKIŞ (D)	Max. Continuous Pressure Max. Sürekli Basınç (Pnom)	Max. Peak Pressure Max. Pik Basınç (Pmax)
PDCD400730133-1	BI-ROTATIONAL-ÇİFT	73	221	154	R1"-11	R1"-11	240	275
PDCD400870133-1	BI-ROTATIONAL-ÇİFT	87	226	158	R1"-11	R1"-11	220	250
PDCD401090133-1	BI-ROTATIONAL-ÇİFT	109	233	159	R1 1/4"-11	R1 1/4"-11	210	240