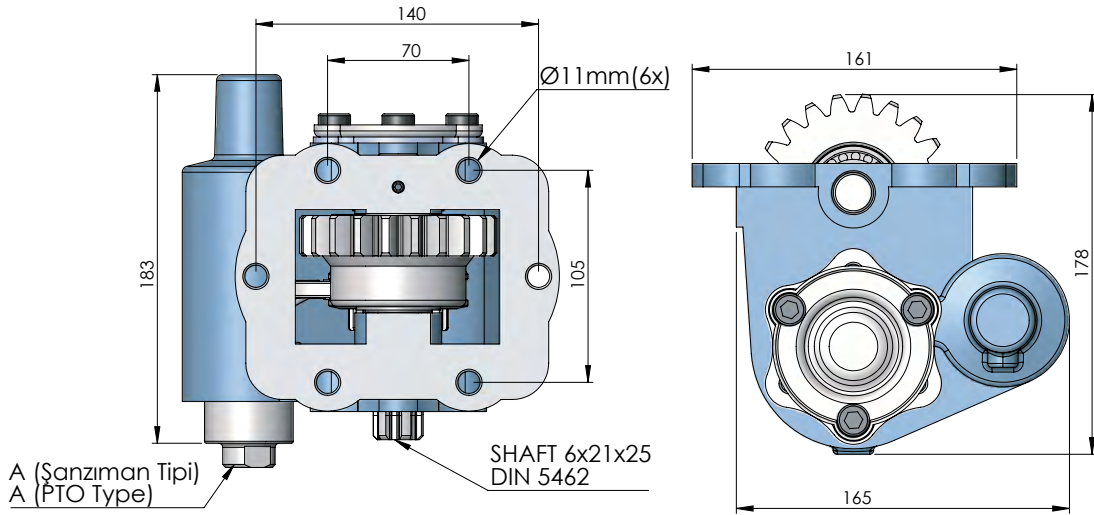
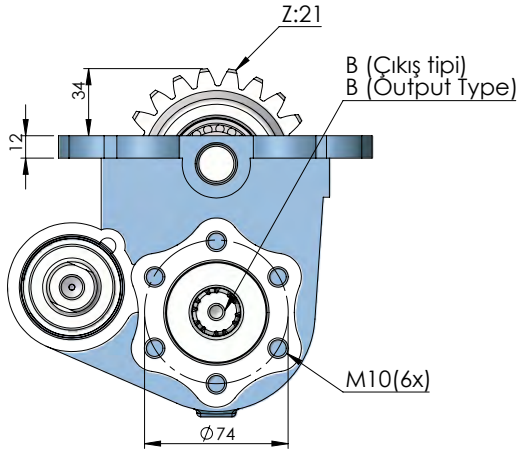


## EATON 570 SAĞ YAN UNI

## EATON 570 RIGHT SIDE UNI



EATON

HIPPOSAN

POWER TAKE-OFFS  
P.T.O.

CODE KOD	TYPE TİP (A)	MOUNTING TYPE BAĞLANTI TİPİ (B)	MOUNTING SIDE BAĞLANTI	TORQUE TORK (Kgm / Nm)	POWER GÜÇ (Hp / Kw)	SPEED DEVİR (RPM)	RATIO ORAN
50411512P0	PNEUMATIC PNÖMATİK	UNI	RIGHT SIDE SAĞ YAN	25 Kgm 245 Nm	17,2 HP 12,8 Kw	500 RPM	1/1,25
50411522P0		ISO ADAPTER ADAPTÖRLÜ ISO					
50411532P0		FLANGE FLANŞLI					
50411542P0		SHAFT ŞAFTLI					
GEARBOX / ANA ŞANZIMANLAR				USED VEHICLES / KULLANILAN BAZI ARAÇLAR			
PTO EATON-HEMA 570-542-640 R SMA-SMS-SMR-SMH-SMJ-CMA-CMR				162.22-162.25-170.25- FATİH / 2114-2116-2517 FORD CARGO (86-96) 180 FATİH BMC BEDFORD GENETO / 1830 INTER / 1850 YAVUZ			