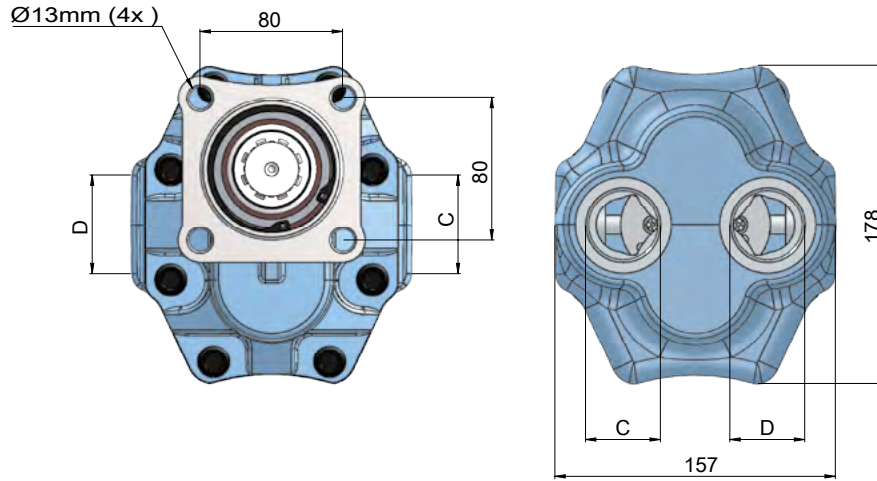
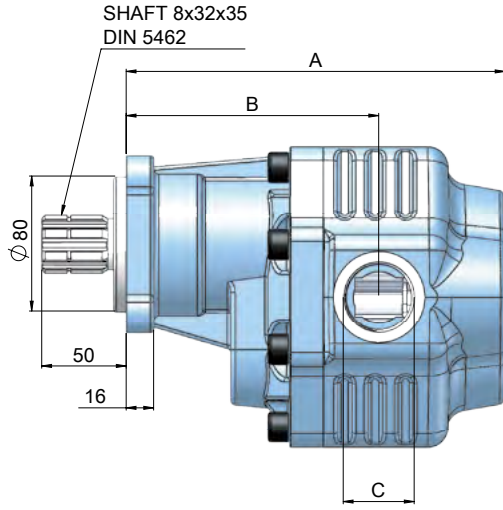


40 ÇİFT DÖNÜŞLÜ ISO

40 BI-ROTATIONAL ISO



CODE KOD	ROTATION YÖN	DISPLACEMENT DEBİ (Lt/min)	A (mm)	B (mm)	INLET GİRİŞ (C)	OUTLET ÇIKIŞ (D)	Max. Continuous Pressure Max. Sürekli Basınç (Pnom)	Max. Peak Pressure Max. Pik Basınç (Pmax)
PDCD400730133	BI-ROTATIONAL-ÇİFT	73	207	140	R1"-11	R1"-11	240	275
PDCD400870133	BI-ROTATIONAL-ÇİFT	87	212	144			220	250
PDCD401090133	BI-ROTATIONAL-ÇİFT	109	219	145	R1 1/4"-11	R1 1/4"-11	210	240