

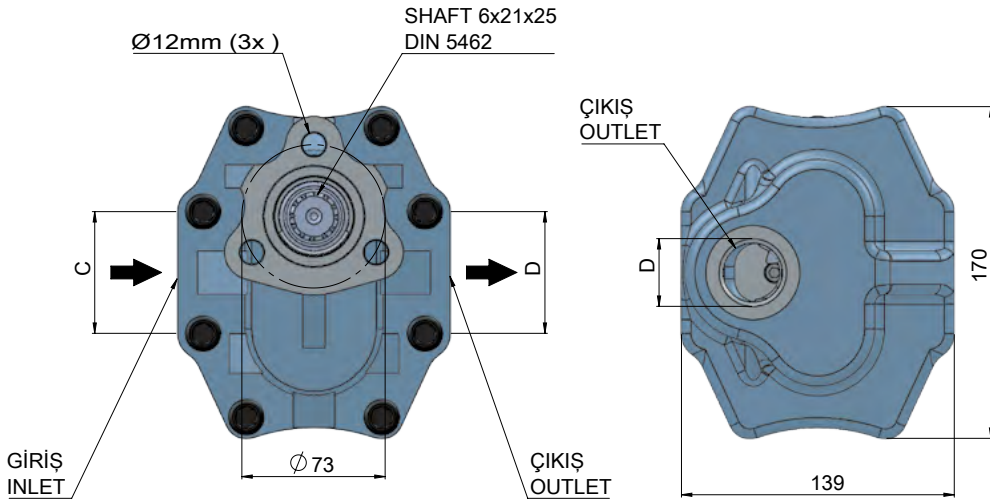
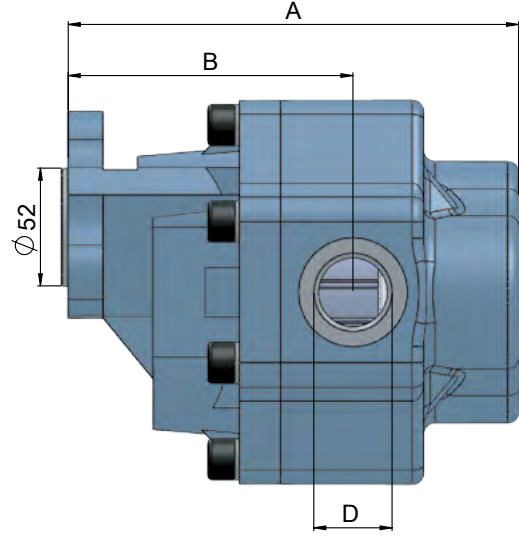
35 SINGLE ROTATIONAL UNI

35 TEK DÖNÜŞLÜ UNI

35 SERIES GEAR PUMPS
35 SERİSİ DİŞLİ POMPA

HİPOSAN

HYDRAULIC PUMPS
HİDROLİK POMPALAR



CODE KOD	ROTATION YÖN	DISPLACEMENT DEBİ (Lt/min)	A (mm)	B (mm)	INLET GİRİŞ (C)	OUTLET ÇIKIŞ (D)	Max. Continuous Pressure Max. Sürekli Basınç (Pnom)	Max. Peak Pressure Max. Pik Basınç (Pmax)
PDTD350900011	RIGHT/SAĞ	90	191	118,5	R1 1/4"-11	R1"-1	220	250
PDTD350900012	LEFT/SOL							
PDTD351100011	RIGHT/SAĞ	110	199	126,5	R1 1/4"-11	R1"-1	210	240
PDTD351100012	LEFT/SOL							