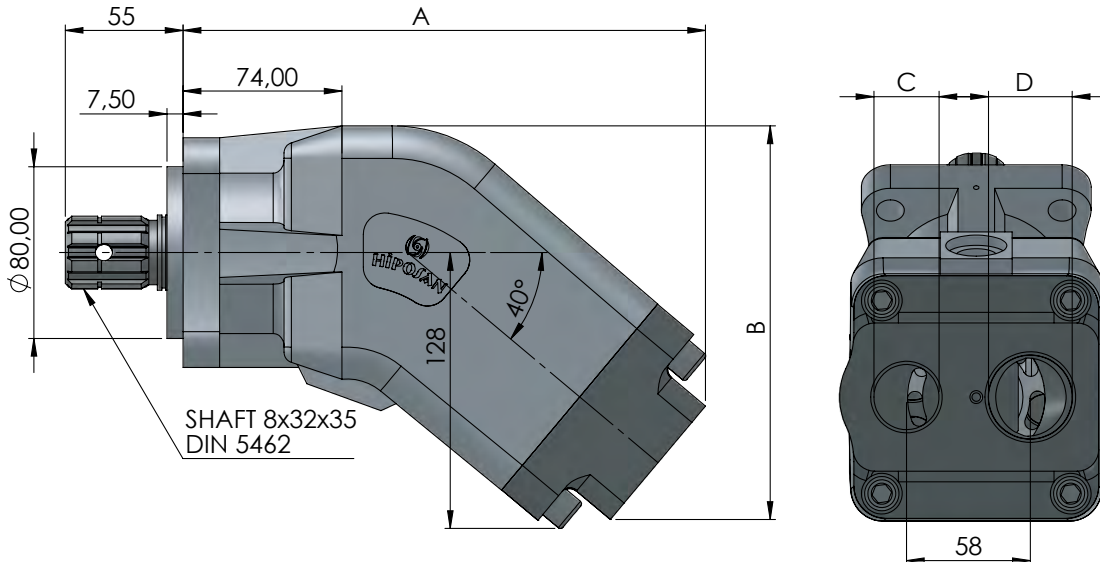
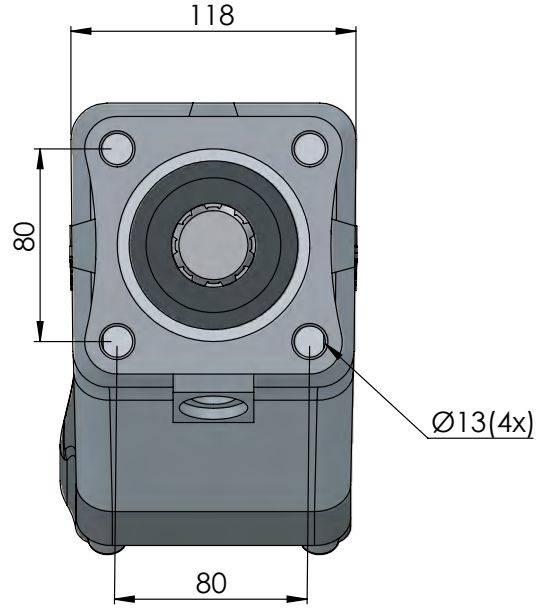


BENT AXIS PISTON PUMP

EKSENEL POMPA



CODE KOD	ROTATION YÖN	DISPLACEMENT DEBİ (Lt/min)	A (mm)	B (mm)	INLET GİRİŞ (C)	OUTLET ÇIKIŞ (D)	Max. Continuous Pressure Max. Sürekli Basınç (Pnom)	Max. Peak Pressure Max. Pik Basınç (Pmax)
PEX752035131	RIGHT/SAĞ	35	243	183	R 3/4"	R 1/4"	400	450
PEX752035132	LEFT/SOL							
PEX752045131	RIGHT/SAĞ	45	243	183				
PEX752045132	LEFT/SOL							
PEX752055131	RIGHT/SAĞ	55	243	183				
PEX752055132	LEFT/SOL							
PEX752065131	RIGHT/SAĞ	65	243	183				
PEX752065132	LEFT/SOL							
PEX752085131	RIGHT/SAĞ	85	243	183	R 1"	R 1/2"	375	430
PEX752085132	LEFT/SOL							
PEX752105131	RIGHT/SAĞ	105	243	183			350	400
PEX752105132	LEFT/SOL							

PISTON PUMPS
PISTONLU POMPA

HIPOSAN®

HYDRAULIC PUMPS
HİDROLİK POMPALAR