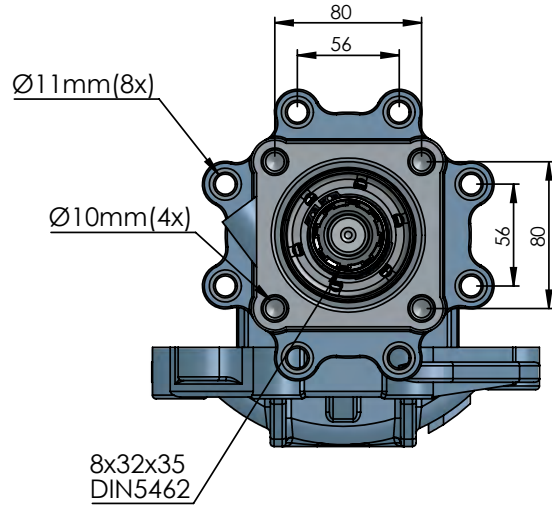
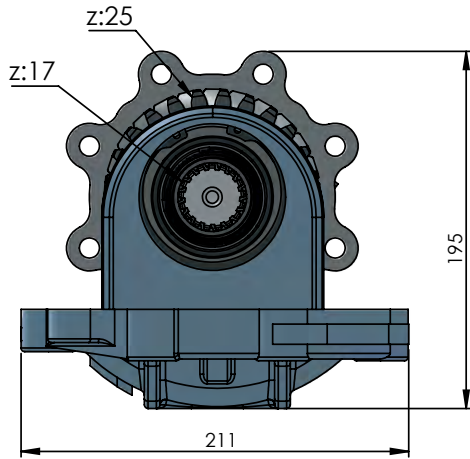
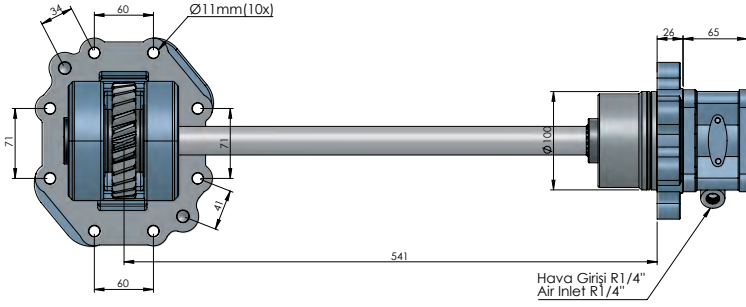


SCANIA GRS895R



CODE KOD	TYPE TİP (A)	MOUNTING TYPE BAĞLANTI TİPİ (B)	MOUNTING SIDE BAĞLANTI	TORQUE TORK (Kgm / Nm)	POWER GÜÇ (Hp / Kw)	SPEED DEVİR (RPM)	RATIO ORAN
50313411P0	PNEUMATIC PNÖMATİK	UNI ADAPTER ADAPTÖRLÜ UNI	REAR KUYRUK	44.8 Kgm 436 Nm	56.8 Hp 42.4 Kw	1250 RPM	1:1
50313421P0		ISO					
50313431P0		FLANGE ADAPTÖRLÜ FLANŞLI					
50313441P0		SHAFT ADAPTÖRLÜ ŞAFTLI					
GEARBOX / ANA ŞANZİMANLAR				USED VEHICLES / KULLANILAN BAZI ARAÇLAR			
GRS 895 R				R440 SCANIA			