

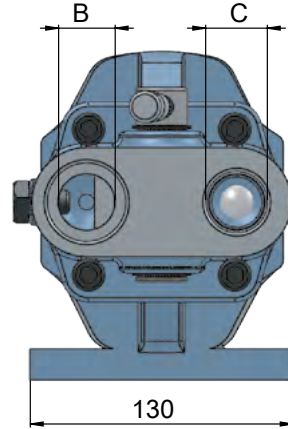
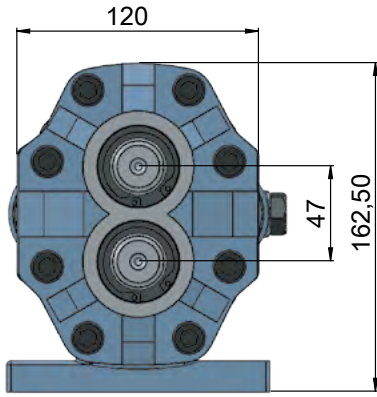
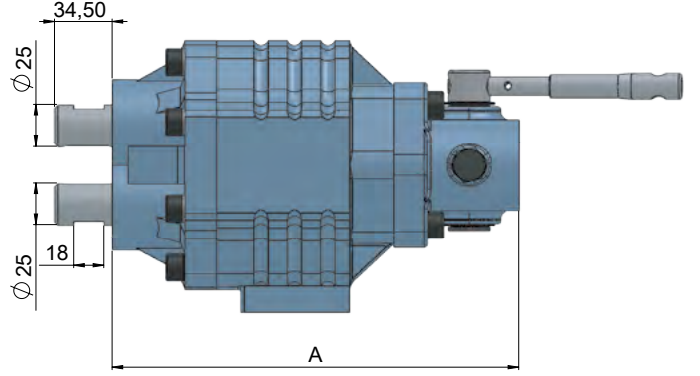
30 DPM MECHANIC VALVE BI-ROTATIONAL

30 DPM MEKANİK VENTİLLİ ÇİFT DÖNÜŞLÜ

30 SERIES GEAR PUMPS  
30 SERİSİ DİŞLİ POMPA

**HİPOSAN**

HYDRAULIC PUMPS  
HİDROLİK POMPALAR



CODE KOD	ROTATION YÖN	DISPLACEMENT DEBİ (Lt/min)	A (mm)	INLET GİRİŞ (B)	OUTLET ÇIKIŞ (C)	Max. Continuous Pressure Max. Sürekli Basınç (Pnom)	Max. Peak Pressure Max. PİK Basınç (Pmax)
PDCDV300431343	BI-ROTATIONAL-ÇİFT	43	220	R1 1/4"-11	R1"-11	240	270
PDCDV300611343	BI-ROTATIONAL-ÇİFT	61	230			210	240
PDCDV300821343	BI-ROTATIONAL-ÇİFT	82	243			180	220