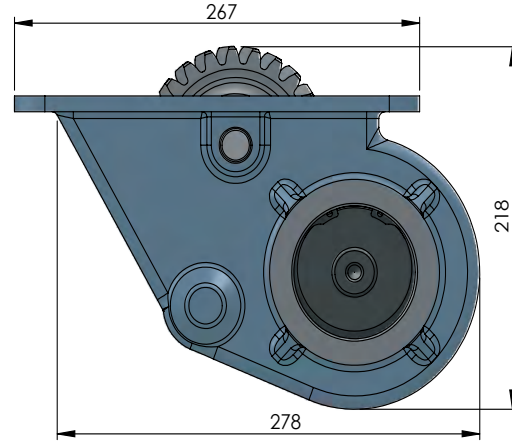
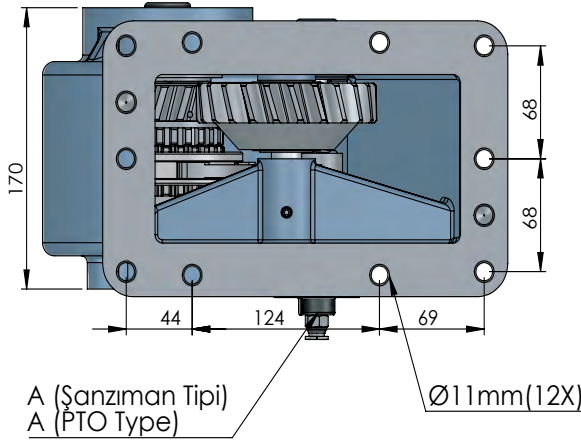
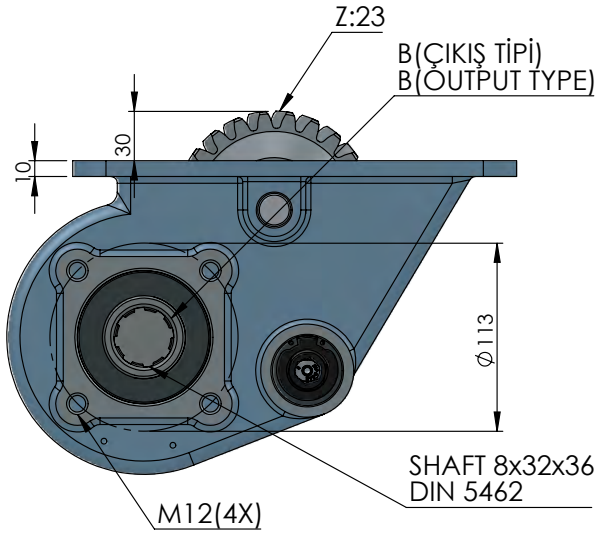


## SCANIA GR880



| CODE KOD                  | TYPE TİP (A)       | MOUNTING TYPE BAĞLANTI TİPİ (B) | MOUNTING SIDE BAĞLANTI | TORQUE TORK (Kgm / Nm)  | POWER GÜÇ (Hp / Kw) | SPEED DEVİR (RPM) | RATIO ORAN |
|---------------------------|--------------------|---------------------------------|------------------------|---|---------------------|-------------------|------------|
| 50317512P0                | PNEUMATIC PNÖMATİK | UNI ADAPTER ADAPTÖRLÜ UNI       | SIDE YAN               | 21.4 Kgm<br>210 Nm  | 30 Hp<br>22 Kw      | 1000 RPM          | 1:1        |
| 50317522P0                |                    | ISO                             |                        |   |                     |                   |            |
| 50317532P0                |                    | FLANGE ADAPTÖRLÜ FLANŞLI        |                        |   |                     |                   |            |
| 50317542P0                |                    | SHAFT ADAPTÖRLÜ ŞAFTLI          |                        |   |                     |                   |            |
| GEARBOX / ANA ŞANZIMANLAR |                    |                                 |                        | USED VEHICLES / KULLANILAN BAZI ARAÇLAR   |                     |                   |            |
| GR 880 - GRH 880          |                    |                                 |                        | P92 - 93 - 111 - 112C - 113R - 114H - 142M - 144L - 93H 280 - R113M PTO<br>SCANIA P 113M - P114 GA 380 - 114 P - 124 R - 113P - 114R - 113H 360 |                     |                   |            |