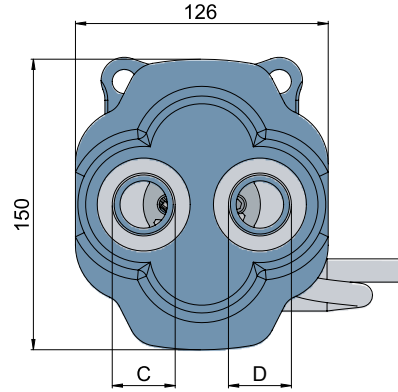
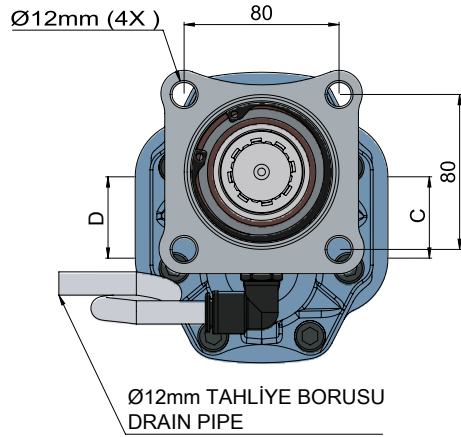
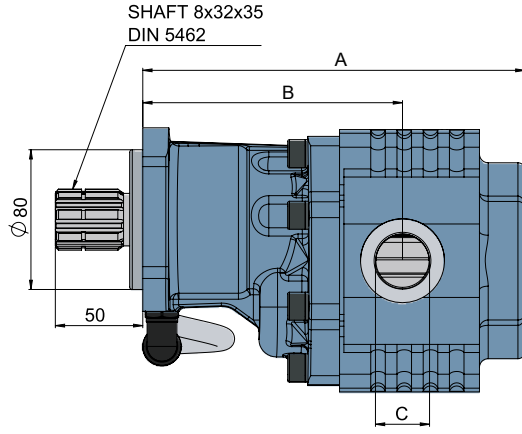


30 NOP SERİSİ ÇİFT DÖNÜŞLÜ ISO

30 NOP SERIES BI-ROTATIONAL ISO



CODE KOD	ROTATION YÖN	DISPLACEMENT DEBİ (Lt/min)	A (mm)	B (mm)	INLET GİRİŞ (C)	OUTLET ÇIKIŞ (D)	Max. Continuous Pressure Max. Sürekli Basınç (Pnom)	Max. Peak Pressure Max. PİK Basınç (Pmax)
PDCD300340133-1	BI-ROTATIONAL-ÇİFT	34	199	146	R3/4"-14	R3/4"-14	250	280
PDCD300430133-1	BI-ROTATIONAL-ÇİFT	43	207	149			240	270
PDCD300510133-1	BI-ROTATIONAL-ÇİFT	51	210	151	R1"-14	R1"-14	220	250
PDCD300610133-1	BI-ROTATIONAL-ÇİFT	61	216	152			210	240
PDCD300820133-1	BI-ROTATIONAL-ÇİFT	82	226	161			180	220