

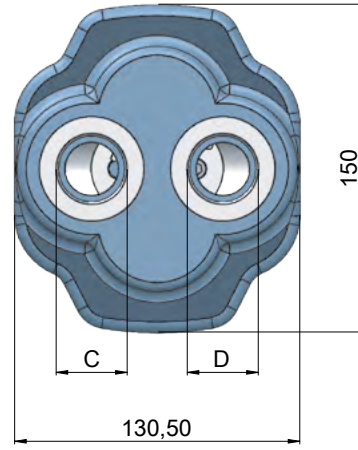
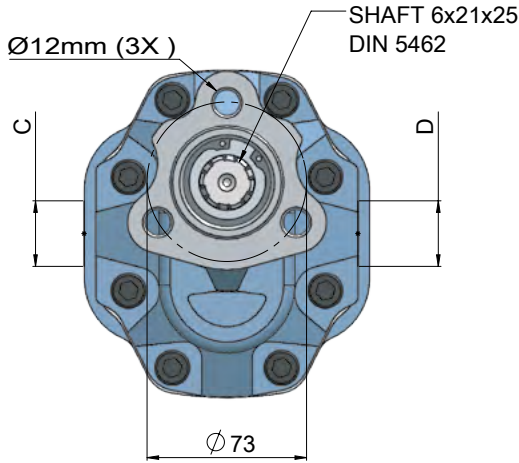
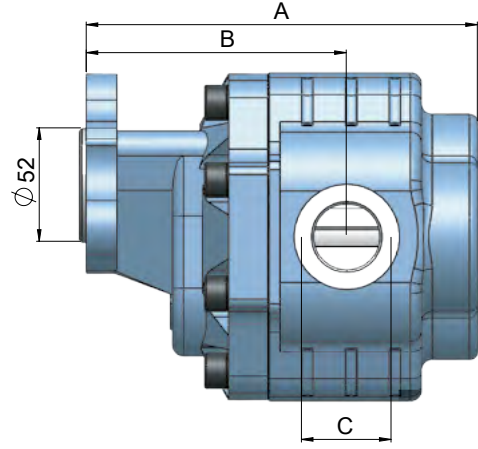
30 BI-ROTATIONAL UNI 4 PORTS

30 ÇİFT DÖNÜŞLÜ UNI 4 PORTLU

30 SERIES GEAR PUMPS
30 SERİSİ DİŞLİ POMPA

HİPOSAN

HYDRAULIC PUMPS
HİDROLİK POMPALAR



CODE KOD	ROTATION YÖN	DISPLACEMENT DEBİ (Lt/min)	A (mm)	B (mm)	INLET GİRİŞ (C)	OUTLET ÇIKIŞ (D)	Max. Continuous Pressure Max. Sürekli Basınç (Pnom)	Max. Peak Pressure Max. Pik Basınç (Pmax)
PDCD300340013	BI-ROTATIONAL-ÇİFT	34	178	125	R3/4"-14	R3/4"-14	250	280
PDCD300430013	BI-ROTATIONAL-ÇİFT	43	186	128			240	270
PDCD300510013	BI-ROTATIONAL-ÇİFT	51	189	130	R1"-14	R1"-14	220	250
PDCD300610013	BI-ROTATIONAL-ÇİFT	61	195	131			210	240
PDCD300820013	BI-ROTATIONAL-ÇİFT	82	205	140			180	220