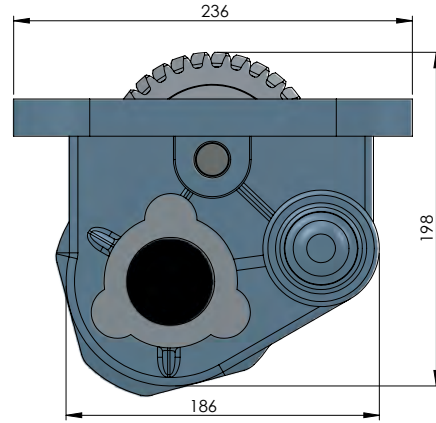
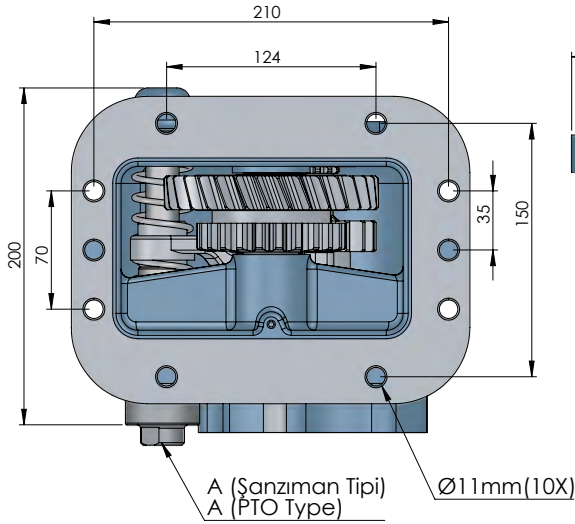
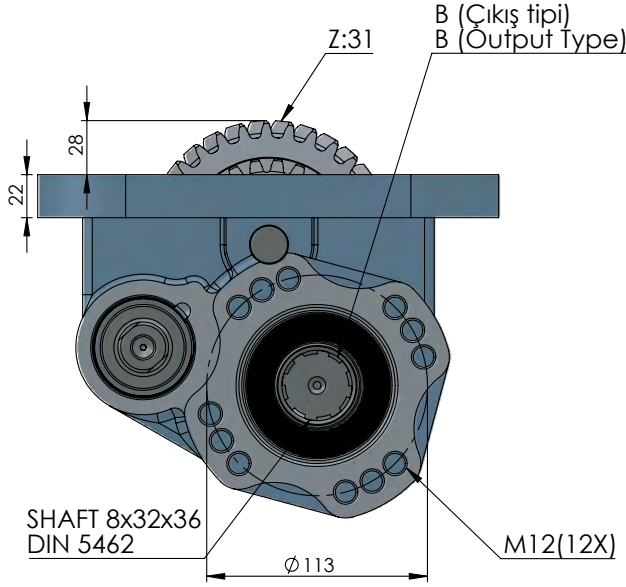


SCANIA GR801



| CODE KOD | TYPE TİP (A) | MOUNTING TYPE BAĞLANTI TİPİ (B) | MOUNTING SIDE BAĞLANTI | TORQUE TORK (Kgm / Nm) | POWER GÜÇ (Hp / Kw) | SPEED DEVİR (RPM) | RATIO ORAN |
|---------------------------|--------------------|---------------------------------|------------------------|--|---------------------|-------------------|------------|
| 50318512P0 | PNEUMATIC PNÖMATİK | UNI ADAPTER ADAPTÖRLÜ UNI | SIDE YAN | 34 Kgm 342 Nm | 28 Hp 21 Kw | 750 RPM | 1:1,7 |
| 50318522P0 | | ISO | | | | | |
| 50318532P0 | | FLANGE ADAPTÖRLÜ FLANŞLI | | | | | |
| 50318542P0 | | SHAFT ADAPTÖRLÜ ŞAFTLI | | | | | |
| GEARBOX / ANA ŞANZIMANLAR | | | | USED VEHICLES / KULLANILAN BAZI ARAÇLAR | | | |
| GR 801 | | | | R94 - 94 -220 -94-260 - 110H - P93 - P94DB - HP 210 - HP220 SCANIA | | | |