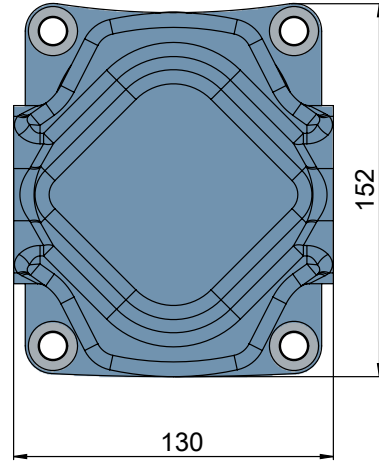
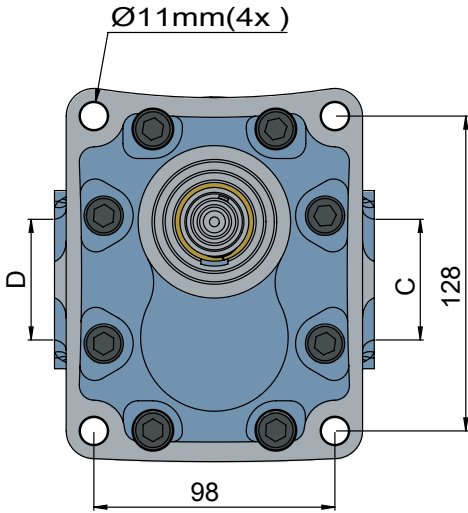
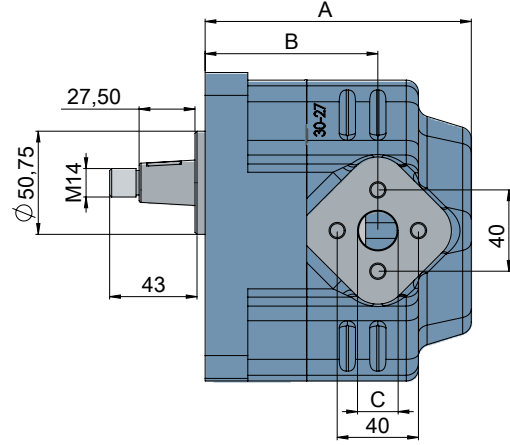


30 K SERIES CONICAL SHAFT

30 K SERİSİ KONİK MİL

30 SERIES GEAR PUMPS
30 SERİSİ DİŞLİ POMPA



HYDRAULIC PUMPS
HİDROLİK POMPALAR

HİPOSAN®

CODE KOD	ROTATION YÖN	DISPLACEMENT DEBİ (Lt/min)	A (mm)	B (mm)	INLET GİRİŞ (C)	OUTLET ÇIKIŞ (D)	Max. Continuous Pressure Max. Sürekli Basınç (Pnom)	Max. Peak Pressure Max. Pik Basınç (Pmax)
PDTDK300170451	RIGHT/SAĞ	17	125	79	Ø27-M10x4	Ø19-M8x4	265	300
PDTDK300170452	LEFT/SOL							
PDTDK300270451	RIGHT/SAĞ	27	131	85			260	290
PDTDK300270452	LEFT/SOL							
PDTDK300340451	RIGHT/SAĞ	34	136	90			250	280
PDTDK300340452	LEFT/SOL							
PDTDK300430451	RIGHT/SAĞ	43	142	96			240	270
PDTDK300430452	LEFT/SOL							
PDTDK300510451	RIGHT/SAĞ	51	147	101			220	250
PDTDK300510452	LEFT/SOL							
PDTDK300610451	RIGHT/SAĞ	61	152	106			210	240
PDTDK300610452	LEFT/SOL							