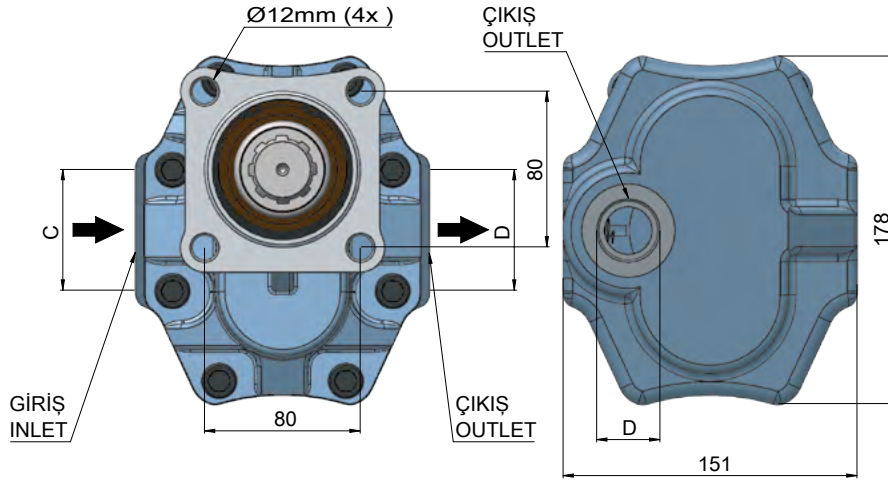
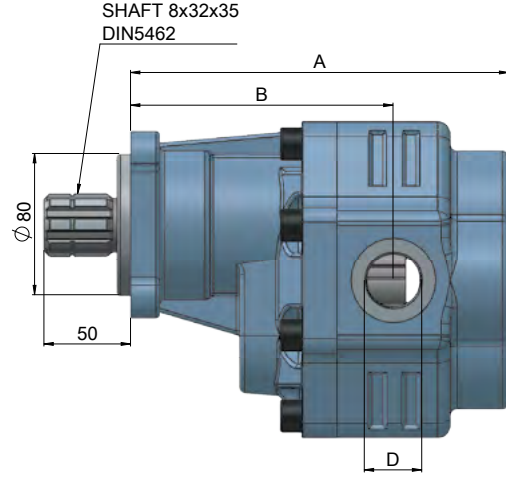


40 SINGLE ROTATIONAL ISO

40 TEK DÖNÜŞLÜ ISO



CODE KOD	ROTATION YÖN	DISPLACEMENT DEBİ (Lt/min)	A (mm)	B (mm)	INLET GİRİŞ (C)	OUTLET ÇIKIŞ (D)	Max. Continuous Pressure Max. Sürekli Basınç (Pnom)	Max. Peak Pressure Max. Pik Basınç (Pmax)
PDTD400630131	RIGHT/SAĞ	63	202	139	R1"-11	R3/4"-14	250	285
PDTD400630132	LEFT/SOL							
PDTD400730131	RIGHT/SAĞ	73	207	142	R1 1/4"-11		240	275
PDTD400730132	LEFT/SOL							
PDTD400870131	RIGHT/SAĞ	87	210	144		R1"-11	220	250
PDTD400870132	LEFT/SOL							
PDTD401090131	RIGHT/SAĞ	109	218	145	R1 1/2"-11		210	240
PDTD401090132	LEFT/SOL							
PDTD401330131	RIGHT/SAĞ	133	233	145		R1 1/2"-11	200	230
PDTD401330132	LEFT/SOL							
PDTD401510131	RIGHT/SAĞ	151	241	148			170	210
PDTD401510132	LEFT/SOL							