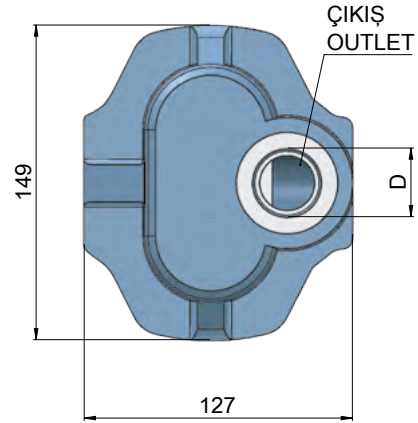
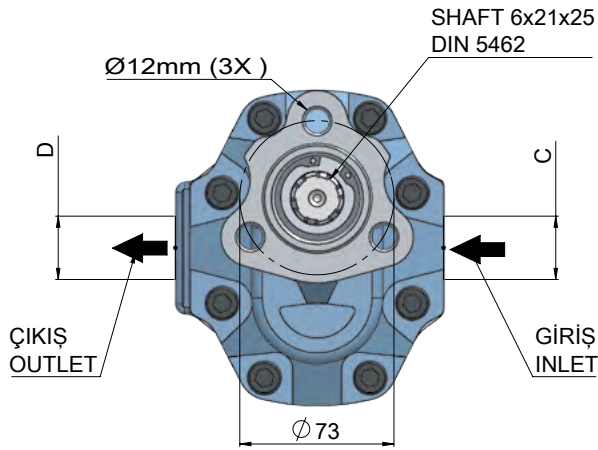
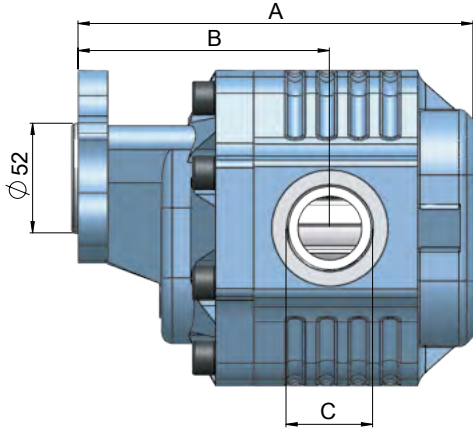


## 30 TEK DÖNÜŞLÜ UNI

## 30 SINGLE ROTATIONAL UNI



CODE KOD	ROTATION YÖN	DISPLACEMENT DEBİ (Lt/min)	A (mm)	B (mm)	INLET GİRİŞ (C)	OUTLET ÇIKIŞ (D)	Max. Continuous Pressure Max. Sürekli Basınç (Pnom)	Max. Peak Pressure Max. Pik Basınç (Pmax)
PDTD300170011	RIGHT/SAĞ	17	150,5	105,5	R1/2"-14	R1/2"-14	265	300
PDTD300170012	LEFT/SOL							
PDTD300270011	RIGHT/SAĞ	27	157,5	109,5	R3/4"-14	R3/4"-14	260	290
PDTD300270012	LEFT/SOL							
PDTD300340011	RIGHT/SAĞ	34	162,5	111,5	R1"-11	R3/4"-14	250	280
PDTD300340012	LEFT/SOL							
PDTD300430011	RIGHT/SAĞ	43	169,5	114,5	R1"-11	R1"-11	240	270
PDTD300430012	LEFT/SOL							
PDTD300510011	RIGHT/SAĞ	51	172,5	116,5	R1 1/4"-11	R1"-11	220	250
PDTD300510012	LEFT/SOL							
PDTD300610011	RIGHT/SAĞ	61	180,5	117,5	R1 1/4"-11	R1"-11	210	240
PDTD300610012	LEFT/SOL							
PDTD300820011	RIGHT/SAĞ	82	294,5	126,5	R1 1/4"-11	R1"-11	180	220
PDTD300820012	LEFT/SOL							