

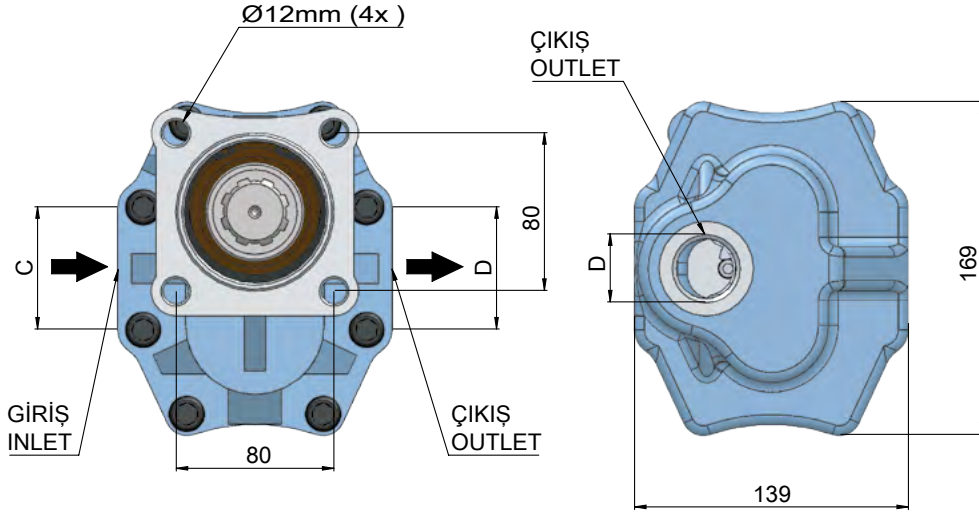
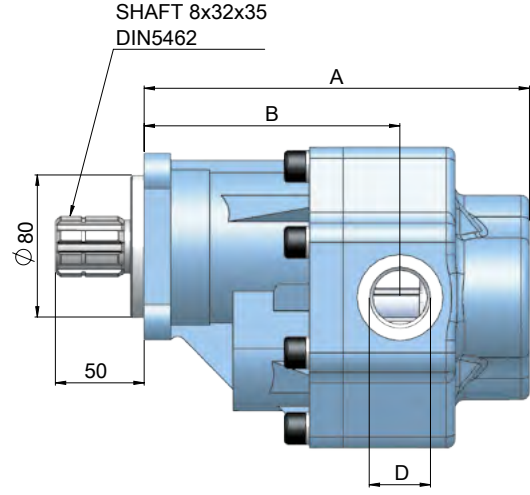
35 SINGLE ROTATIONAL ISO

35 TEK DÖNÜŞLÜ ISO

35 SERIES GEAR PUMPS
35 SERİSİ DİŞLİ POMPA

HIPOSAN®

HYDRAULIC PUMPS
HİDROLİK POMPALAR



CODE KOD	ROTATION YÖN	DISPLACEMENT DEBİ (Lt/min)	A (mm)	B (mm)	INLET GİRİŞ (C)	OUTLET ÇIKIŞ (D)	Max. Continuous Pressure Max. Sürekli Basınç (Pnom)	Max. Peak Pressure Max. Pik Basınç (Pmax)
PDTD350900131	RIGHT/SAĞ	90	211	138,5	R1 1/4"-11	R1"-1	220	250
PDTD350900132	LEFT/SOL							
PDTD351100131	RIGHT/SAĞ	110	219	146,5	R1 1/4"-11	R1"-1	210	240
PDTD351100132	LEFT/SOL							