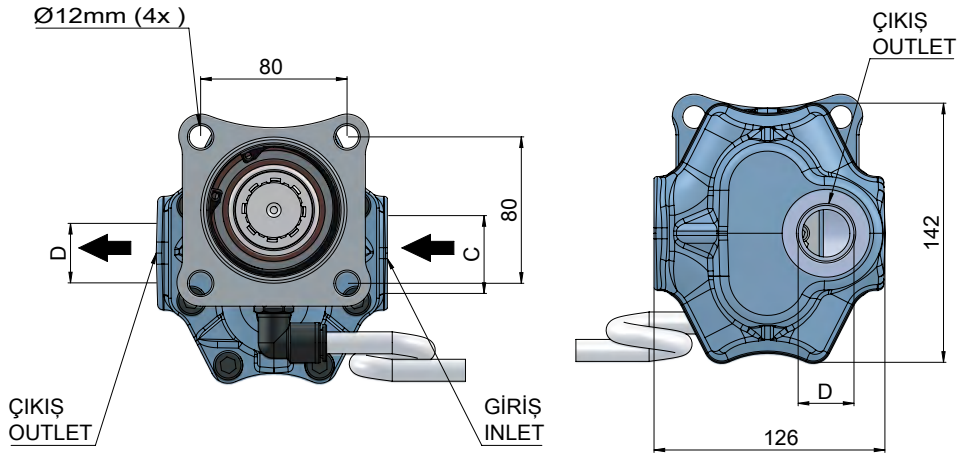
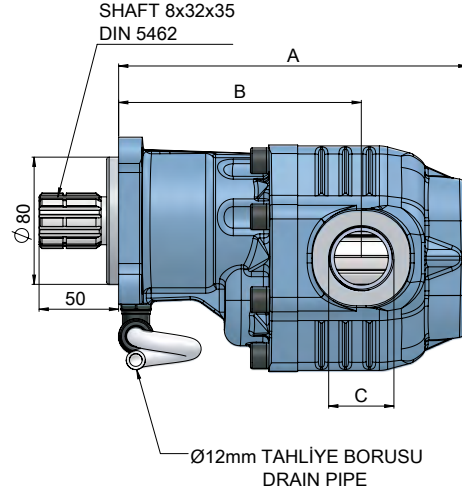


30 NOP SERIES SINGLE ROTATIONAL ISO

30 NOP SERİSİ TEK DÖNÜŞLÜ ISO



CODE KOD	ROTATION YÖN	DISPLACEMENT DEBİ (Lt/min)	A (mm)	B (mm)	INLET GİRİŞ (C)	OUTLET ÇIKIŞ (D)	Max. Continuous Pressure Max. Sürekli Basınç (Pnom)	Max. Peak Pressure Max. Pik Basınç (Pmax)
PDTD300170131-1	RIGHT/SAĞ	17	179	134	R1/2"-14	R1/2"-14	265	300
PDTD300170132-1	LEFT/SOL							
PDTD300270131-1	RIGHT/SAĞ	27	186	138	R3/4"-14	R3/4"-14	260	290
PDTD300270132-1	LEFT/SOL							
PDTD300340131-1	RIGHT/SAĞ	34	191	140	R1"-11	R1"-11	250	280
PDTD300340132-1	LEFT/SOL							
PDTD300430131-1	RIGHT/SAĞ	43	198	143	R1"-11	R1"-11	240	270
PDTD300430132-1	LEFT/SOL							
PDTD300510131-1	RIGHT/SAĞ	51	201	145	R1 1/4"-11	R1 1/4"-11	220	250
PDTD300510132-1	LEFT/SOL							
PDTD300610131-1	RIGHT/SAĞ	61	209	146	R1 1/4"-11	R1 1/4"-11	210	240
PDTD300610132-1	LEFT/SOL							
PDTD300820131-1	RIGHT/SAĞ	82	323	155	R1 1/4"-11	R1 1/4"-11	180	220
PDTD300820132-1	LEFT/SOL							