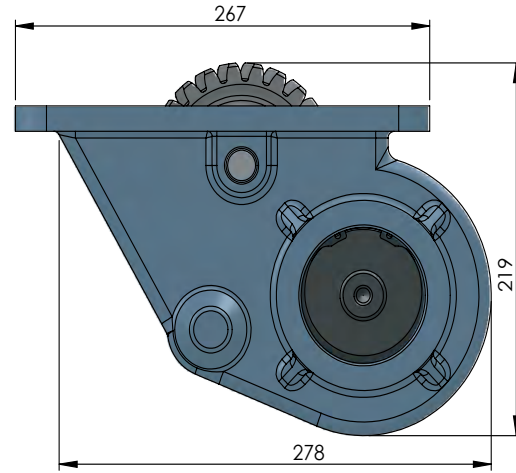
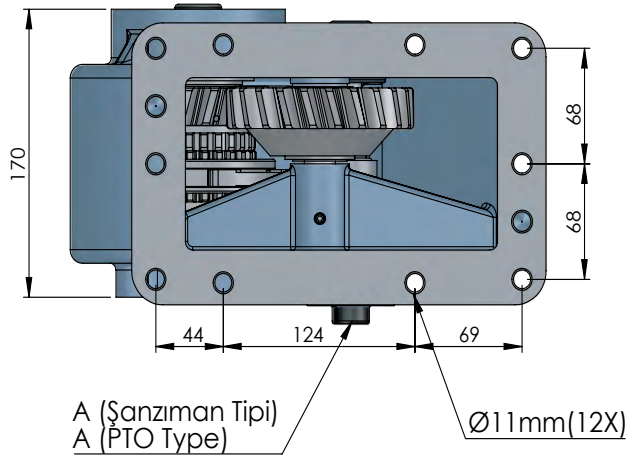
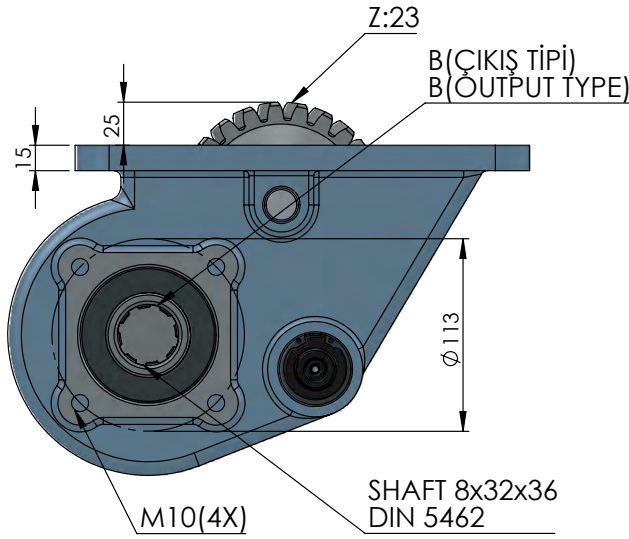


SCANIA GR860



CODE KOD	TYPE TİP (A)	MOUNTING TYPE BAĞLANTI TİPİ (B)	MOUNTING SIDE BAĞLANTI	TORQUE TORK (Kgm / Nm)	POWER GÜÇ (Hp / Kw)	SPEED DEVİR (RPM)	RATIO ORAN
50320512P0	PNEUMATIC PNÖMATİK	UNI ADAPTER ADAPTÖRLÜ UNI	SIDE YAN	19 Kgm 185 Nm	27 Hp 20,5 Kw	750 RPM	1:1,05
50320522P0		ISO					
50320532P0		FLANGE ADAPTÖRLÜ FLANŞLI					
50320542P0		SHAFT ADAPTÖRLÜ ŞAFTLI					
GEARBOX / ANA ŞANZIMANLAR				USED VEHICLES / KULLANILAN BAZI ARAÇLAR			
GR 860				L 111 - 82H - 110 - 111 - 112 - 113 - 140 - 141H-143 SCANIA			