

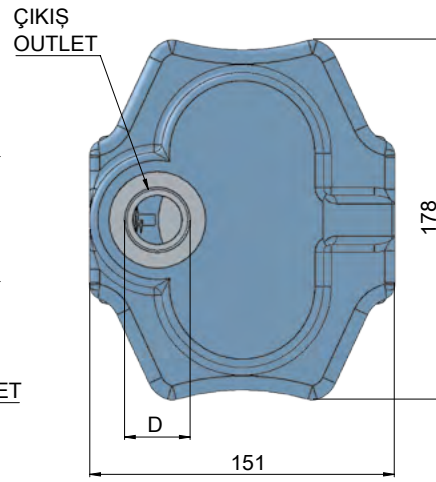
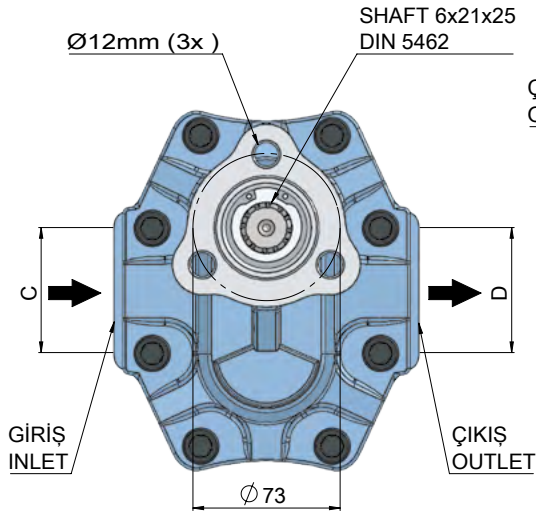
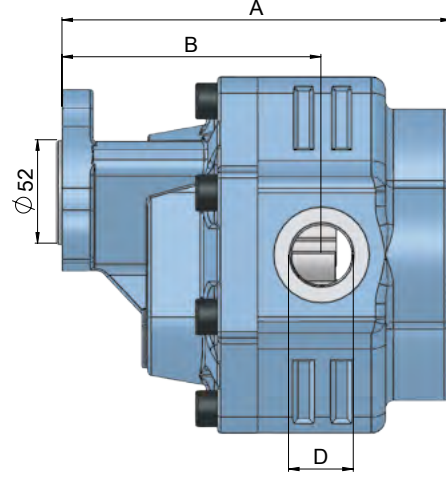
40 SINGLE ROTATIONAL UNI

40 TEK DÖNÜŞLÜ UNI

40 SERIES GEAR PUMPS
40 SERİSİ DİŞLİ POMPA

HİPOSAN

HYDRAULIC PUMPS
HİDROLİK POMPALAR



CODE KOD	ROTATION YÖN	DISPLACEMENT DEBİ (Lt/min)	A (mm)	B (mm)	INLET GİRİŞ (C)	OUTLET ÇIKIŞ (D)	Max. Continuous Pressure Max. Sürekli Basınç (Pnom)	Max. Peak Pressure Max. Pik Basınç (Pmax)
PDTD400630011	RIGHT/SAĞ	63	191	128	R1"-11	R3/4"-14	250	285
PDTD400630012	LEFT/SOL							
PDTD400730011	RIGHT/SAĞ	73	196	131	R1 1/4"-11			
PDTD400730012	LEFT/SOL							
PDTD400870011	RIGHT/SAĞ	87	199	133		R1"-11		
PDTD400870012	LEFT/SOL							
PDTD401090011	RIGHT/SAĞ	109	207	134	R1 1/2"-11			
PDTD401090012	LEFT/SOL							
PDTD401330011	RIGHT/SAĞ	133	222	134		R1 1/2"-11		
PDTD401330012	LEFT/SOL							
PDTD401510011	RIGHT/SAĞ	151	230	137	R1 1/2"-11			
PDTD401510012	LEFT/SOL							