

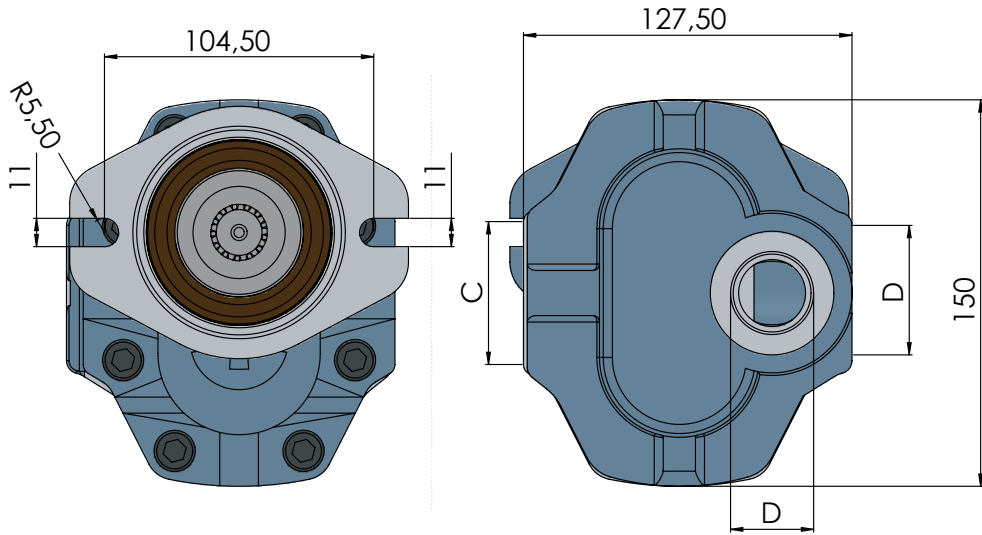
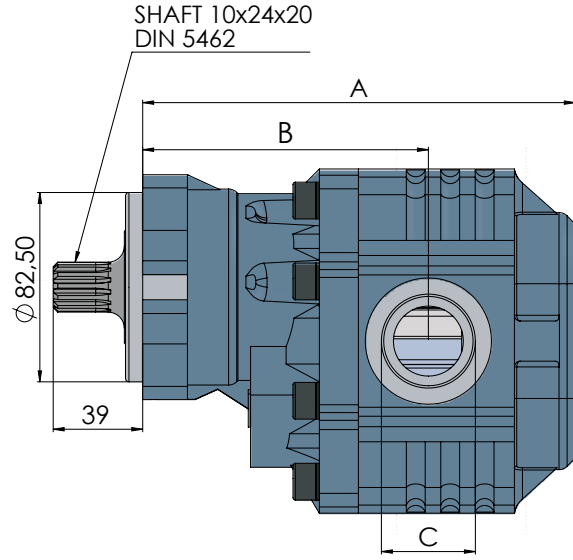
30 SAE A SERIES SINGLE ROTATIONAL

30 SAE A SERİSİ TEK DÖNÜŞLÜ

30 SERIES GEAR PUMPS
30 SERİSİ DİŞLİ POMPA

HIPOSAN®

HYDRAULIC PUMPS
HİDROLİK POMPALAR



CODE KOD	ROTATION YÖN	DISPLACEMENT DEBİ (Lt/min)	A (mm)	B (mm)	INLET GİRİŞ (C)	OUTLET ÇIKIŞ (D)	Max. Continuous Pressure Max. Sürekli Basınç (Pnom)	Max. Peak Pressure Max. Pik Basınç (Pmax)
PDCDS300170861	RIGHT/SAĞ	17	171	126	R1/2"-14	R1/2"-14	265	300
PDCDS300170862	LEFT/SOL							
PDCDS300270861	RIGHT/SAĞ	27	178	130	R3/4"-14	R3/4"-14	260	290
PDCDS300270862	LEFT/SOL							
PDCDS300340861	RIGHT/SAĞ	34	183	132	R1"-11	R1"-11	250	280
PDCDS300340862	LEFT/SOL							
PDCDS300430861	RIGHT/SAĞ	43	190	135	R1"-11	R1"-11	240	270
PDCDS300430862	LEFT/SOL							
PDCDS300510861	RIGHT/SAĞ	51	193	137	R1 1/4"-11	R1 1/4"-11	220	250
PDCDS300510862	LEFT/SOL							
PDCDS300610861	RIGHT/SAĞ	61	201	138	R1 1/4"-11	R1 1/4"-11	210	240
PDCDS300610862	LEFT/SOL							
PDCDS300820861	RIGHT/SAĞ	82	315	147	R1 1/4"-11	R1 1/4"-11	180	220
PDCDS300820862	LEFT/SOL							