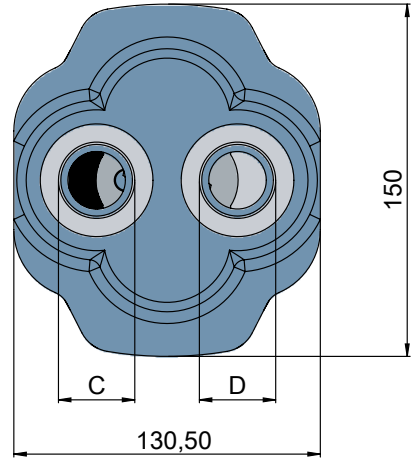
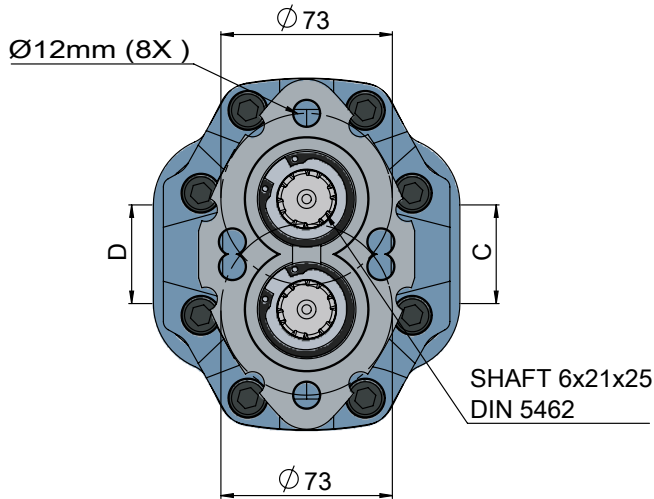
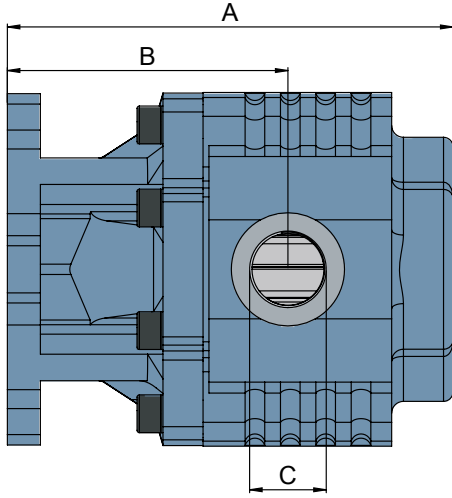


## 30 T2 SERİSİ ÇİFT DÖNÜŞLÜ

## 30 T2 SERIES BI-ROTATIONAL



CODE KOD	ROTATION YÖN	DISPLACEMENT DEBİ (Lt/min)	A (mm)	B (mm)	INLET GİRİŞ (C)	OUTLET ÇIKIŞ (D)	Max. Continuous Pressure Max. Sürekli Basınç (Pnom)	Max. Peak Pressure Max. Pik Basınç (Pmax)
PDTD300170023	BI-ROTATIONAL-ÇİFT	17	147,5	102,5	R1/2"-14	R1/2"-14	265	300
PDTD300270023	BI-ROTATIONAL-ÇİFT	27	154,5	106,5	R3/4"-14	R3/4"-14	260	290
PDTD300340023	BI-ROTATIONAL-ÇİFT	34	159,5	108,5			250	280
PDTD300430023	BI-ROTATIONAL-ÇİFT	43	166,5	111,5	R1"-11	R1"-11	240	270
PDTD300510023	BI-ROTATIONAL-ÇİFT	51	169,5	113,5			220	250
PDTD300610023	BI-ROTATIONAL-ÇİFT	61	177,5	114,5	R1 1/4"-11	R1"-11	210	240
PDTD300820023	BI-ROTATIONAL-ÇİFT	82	291,5	123,5			180	220