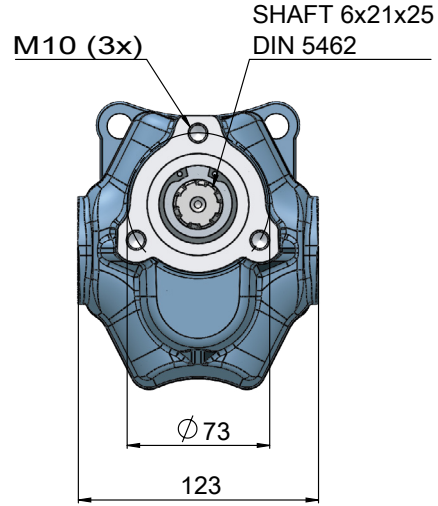
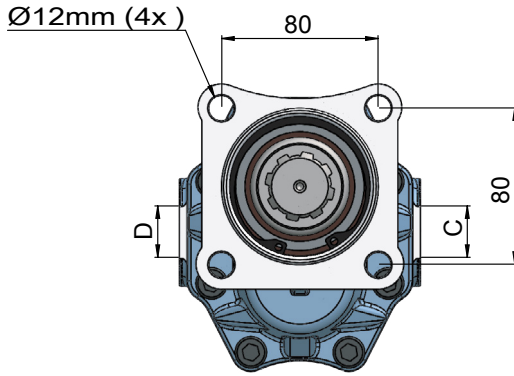
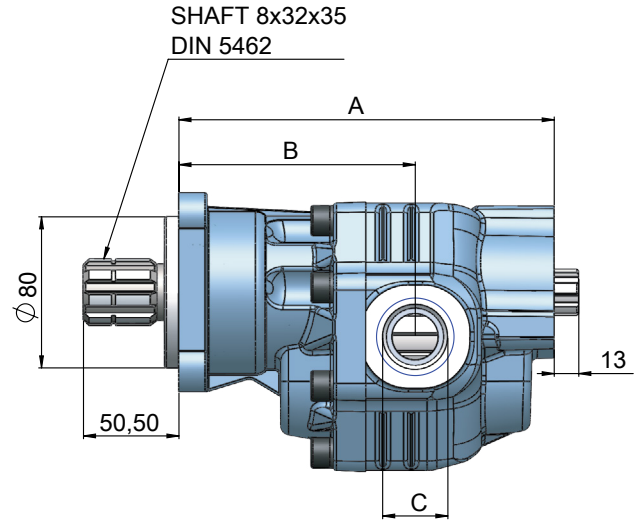


## 30 TANDEM SINGLE ROTATIONAL ISO

30 TANDEM TEK DÖNÜŞLÜ ISO



CODE KOD	ROTATION YÖN	DISPLACEMENT DEBİ (LT)	A (mm)	B (mm)	İNLET GİRİŞ (C)	OUTLET ÇIKIŞ (D)	MAX PRESS MAKSİMUM BASINÇ(BAR)
PDTDT300510131	RIGHT/SAĞ	51	201	137	R1"-11	R1"-11	250
PDTDT300510132	LEFT/SOL						
PDTDT300610131	RIGHT/SAĞ	61	208	138	R1 1/4"-11		
PDTDT300610132	LEFT/SOL						