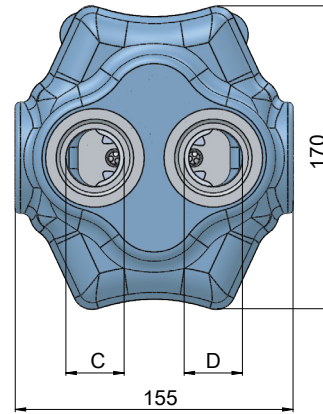
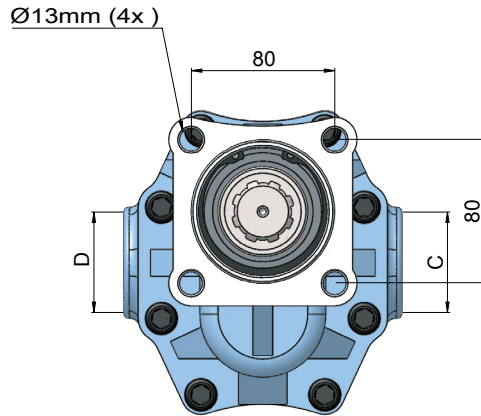
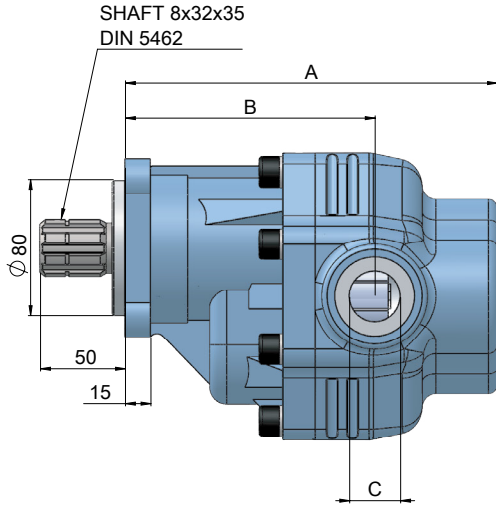


35 ÇİFT DÖNÜŞLÜ ISO

35 BI-ROTATIONAL ISO



CODE KOD	ROTATION YÖN	DISPLACEMENT DEBİ (LT)	A (mm)	B (mm)	INLET GİRİŞ (C)	OUTLET ÇIKIŞ (D)	MAX PRESS MAKSİMUM BASINÇ(BAR)
PDCD350900133	BI-ROTATIONAL-ÇİFT	90	209	141	R1 1/4"-11	R1 1/4"-11	250
PDCD351100133	BI-ROTATIONAL-ÇİFT	110	217	149			