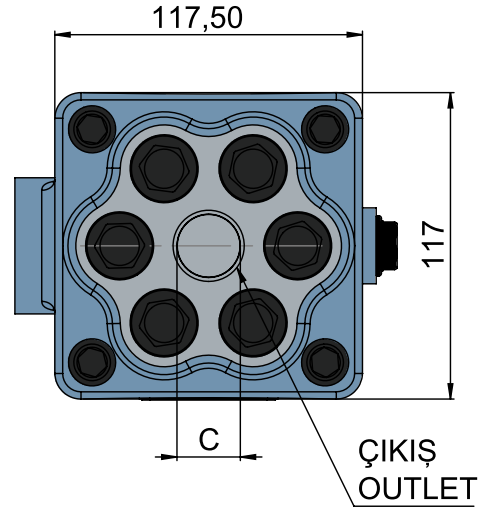
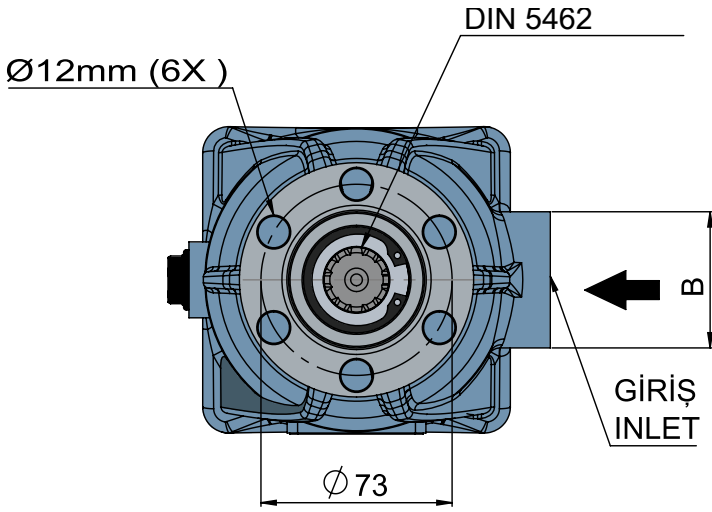
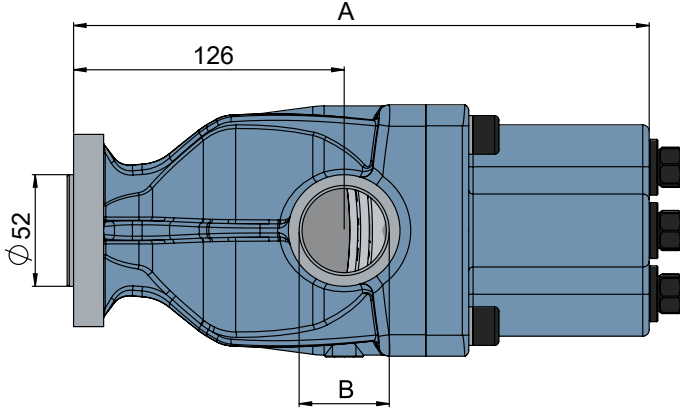


6 PİSTONLU YÜKSEK BASINÇ POMPASI UNI

6 PISTON HIGH PRESSURE PUMP UNI



CODE KOD	DISPLACEMENT DEBİ (LT)	A (mm)	INLET GİRİŞ (B)	OUTLET ÇIKIŞ (C)	MAX PRESS MAKSİMUM BASINÇ(BAR)
PED0605550013	45	268	R1 1/4"-11	R3/4"-14	250