

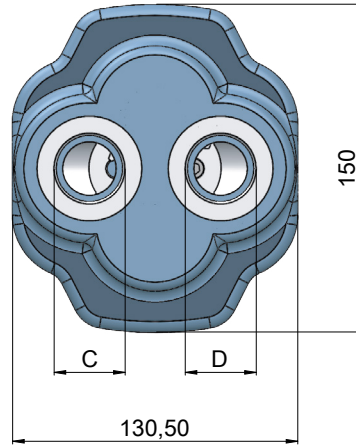
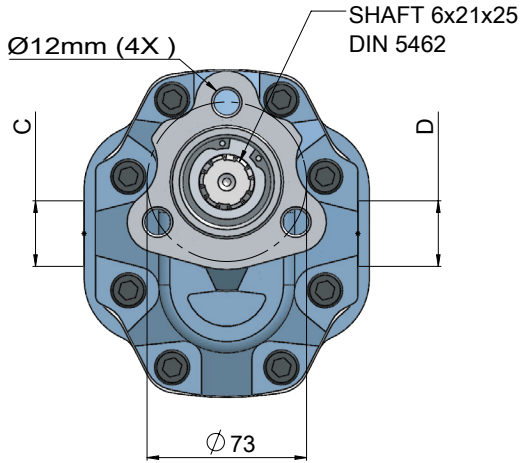
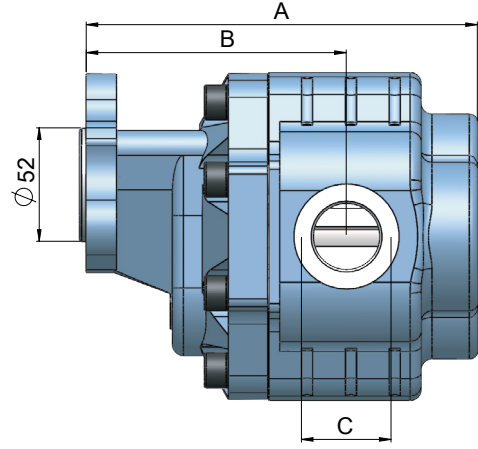
30 BI-ROTATIONAL UNI

30 ÇİFT DÖNÜŞLÜ UNI

30 SERIES GEAR PUMPS
30 SERİSİ DİŞLİ POMPA

HİPOSAN

HYDRAULIC PUMPS
HİDROLİK POMPALAR



CODE KOD	ROTATION YÖN	DISPLACEMENT DEBİ (LT)	A (mm)	B (mm)	INLET GİRİŞ (C)	OUTLET ÇIKIŞ (D)	MAX PRESS MAKSİMUM BASINÇ(BAR)
PDCD300340013	BI-ROTATIONAL-ÇİFT	34	178	125	R3/4"-14	R3/4"-14	250
PDCD300430013	BI-ROTATIONAL-ÇİFT	43	186	128			
PDCD300510013	BI-ROTATIONAL-ÇİFT	51	189	130	R1"-14	R1"-14	
PDCD300610013	BI-ROTATIONAL-ÇİFT	61	195	131			
PDCD300820013	BI-ROTATIONAL-ÇİFT	82	205	140			