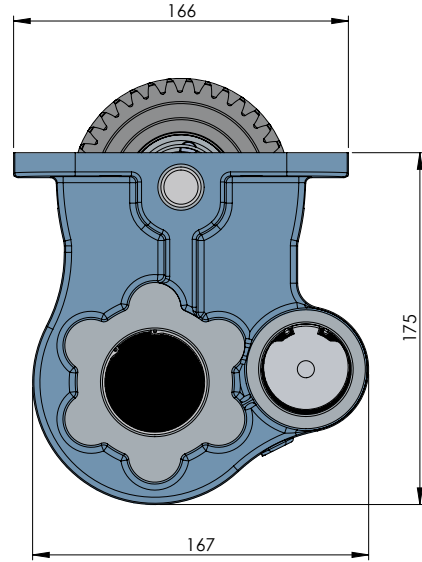
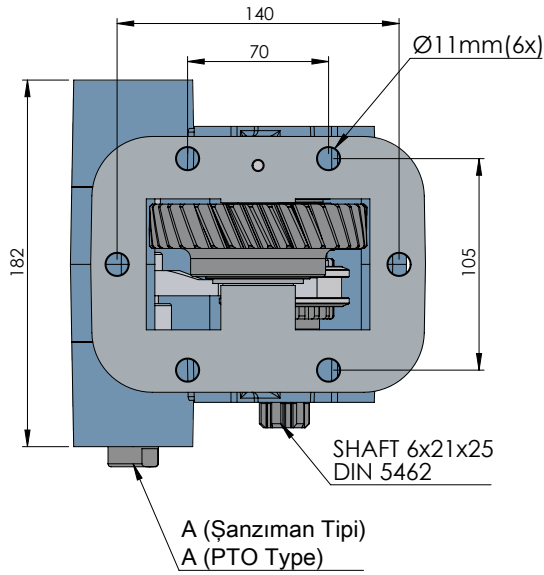
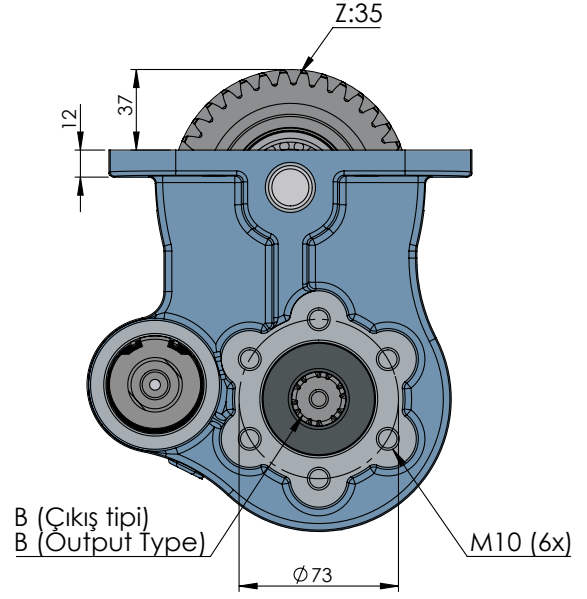


ZF 6S 500 SIDE UNI

ZF 6S 500 YAN UNI



| CODE KOD | TYPE TİP (A) | MOUNTING TYPE BAĞLANTI TİPİ (B) | MOUNTING SIDE BAĞLANTI | TORQUE TORK (Kgm / Nm) | POWER GÜÇ (Hp / Kw) | SPEED DEVİR (RPM) | RATIO ORAN |
|---------------------------|-----------------------|------------------------------------|------------------------------|-----------------------------------------------------|---------------------------|-------------------------|---------------|
| 50218512P0 | PNEUMATIC PNÖMATİK | UNI | SIDE YAN | 17.9 Kgm 180 Nm | 21.5 Hp 16 Kw | 1000 | 1:0.95 |
| 50218522P0 | | ISO ADAPTER ADAPTÖRLÜ ISO | | | | | |
| 50218532P0 | | FLANGE FLANŞLI | | | | | |
| 50218542P0 | | SHAFT ŞAFTLI | | | | | |
| GEARBOX / ANA ŞANZIMANLAR | | | | USED VEHICLES / KULLANILAN BAZI ARAÇLAR | | | |
| ZF 6S 500 | | | | FAW 8.140FL / FD,FOTON 10-16 DT,Otokar Atlas EURO 6 | | | |

ZF

HIPOSAN®

POWER TAKE-OFFS
P.T.O.