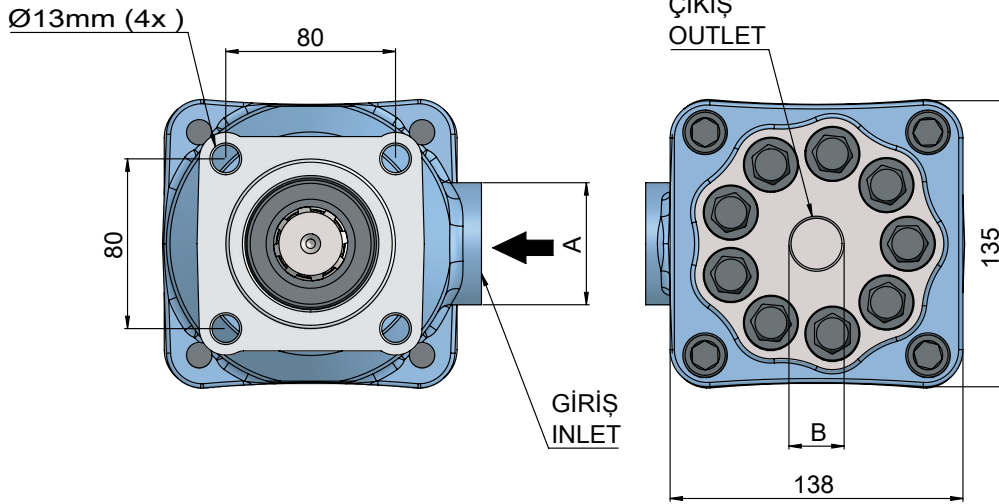
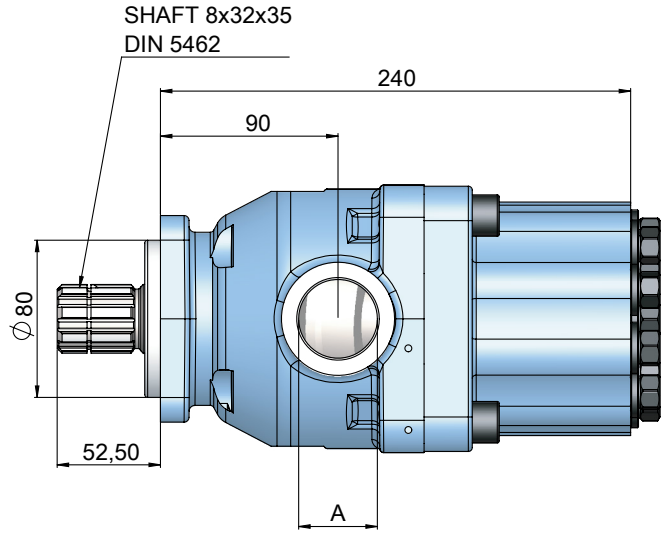


9 PISTON PUMP ISO

9 PİSTONLU POMPA ISO



CODE KOD	DISPLACEMENT DEBİ (LT)	A (mm)	INLET GİRİŞ (B)	OUTLET ÇIKIŞ (C)	MAX PRESS MAKSİMUM BASINÇ (BAR)
PED0906010133	60	238	R1 1/4"-11	R3/4"-14	250
PED0908010133	80	238			